

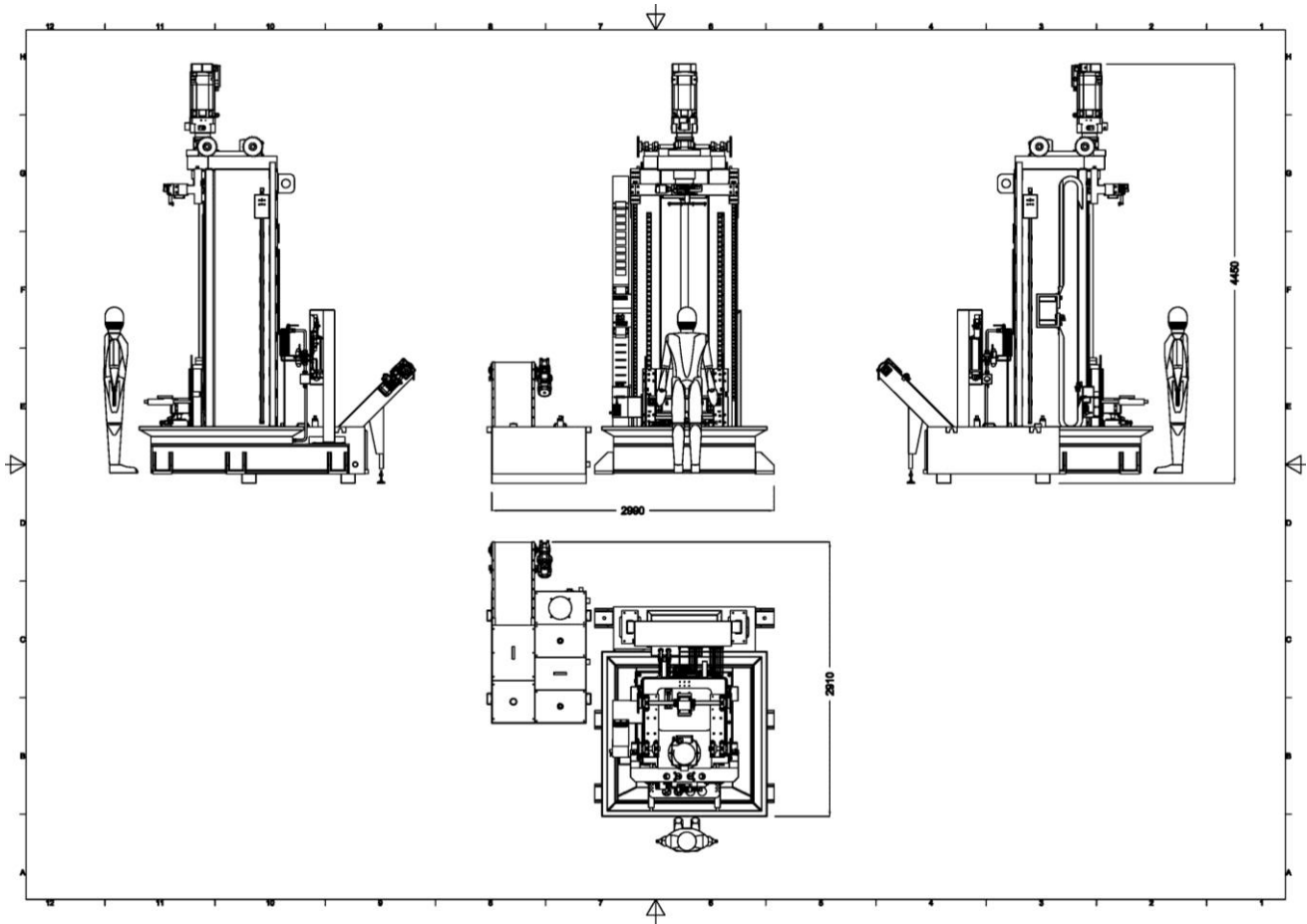
VIM HB

INTERNAL ELECTROMECHANICAL
HELICAL BROACHING MACHINE
TABLE UP

Helical Broaching Machine:

The Ekin internal table up electromechanical broaching machine provides infinite variability of helix angles. This is made possible thru interlocking the upward table travel with the broach tool rotation.

Ekin helical broaching machines used in conjunction with Ekin helical broach tools allows for a complete turnkey solution for all helical broaching applications.



VIM HB INTERNAL ELECTROMECHANICAL
HELICAL BROACHING MACHINE
TABLE UP

POWER (t)	STROKE (mm)
20	1600